

Flash ROM BIOS

In order to keep up with the latest system BIOS, you may upgrade your Notebook system from AJP technical support. Continue the process that you work with CPU processor's clock. The DIP Switch need to be set **ON** when you are going to upgrade the existing system BIOS. But you should set them back **OFF** after updating BIOS is complete.

8500

Flash ROM BIOS	1	2	3	4	5	6	7	8	9	10
Existing BIOS	X	X	X	X	X	X	X	X	Off	Off
Updating BIOS	X	X	X	X	X	X	X	X	On	On

8500M

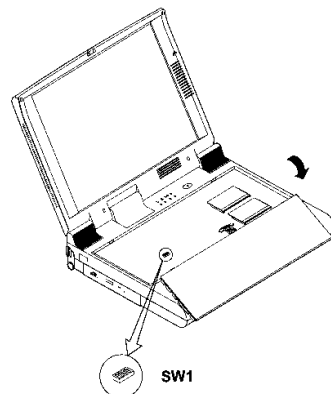
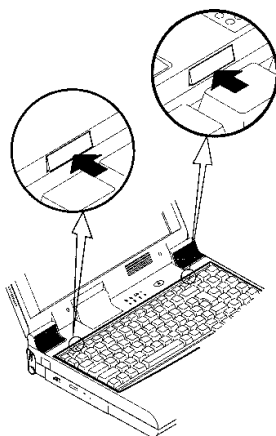
Flash ROM BIOS	SW1-1	SW1-2
Existing BIOS	Off	Off
Updating BIOS	On	On

8500P/C

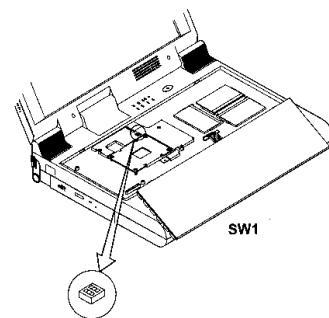
Flash ROM BIOS	SW1-1	SW1-2
Existing BIOS	Off	Off
Updating BIOS	On	On

Accessing DIP Switch

- 1 Turn the system power off
- 2 Press the two keyboard latches so that the keyboard can be elevated from its normal position
- 3 Carefully lift the keyboard assembly out so the mainboard is exposed. Locate the DIP Switch to set the configuration (shown below)



8500 / 8500M



8500P / 8500C